

170 LM/ W

Crown LED High Bay Light

Anti Corrosion
Special powder paint wich is anti corrosion

- WG-CHB-100W
- WG-CHB-150W
- WG-CHB-200W



The rest are made of stainless steel

Crown LED High Bay Lights series is an IP69K, industrial-grade LED fixture engineered specifically for extreme applications that require high ambient operating temperatures and corrosive environments. It is a marine-rated fixture that comes with dual-layer powder coating and an optional IK08-rated tempered glass lens, ideal for high-pressure washing. Crown LED High Bay Lights precisely illuminates industrial workspaces with wide-angle light distribution and high uniformity.

Designed for use in:

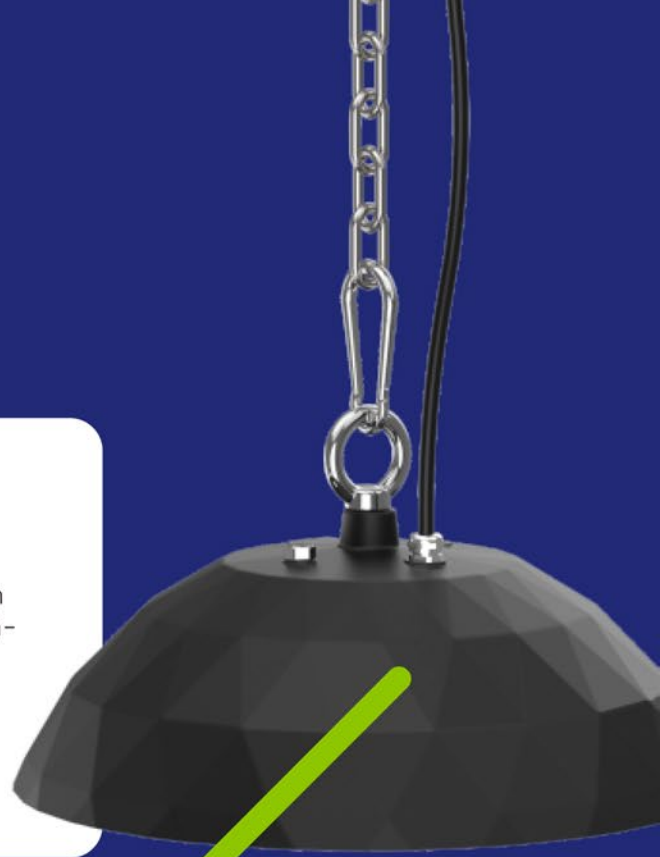
- Oil & Gas
- Mining
- Gas Canopy Lighting
- Food processing plants
- Power Generation
- Foundries
- Paper and Pulp Mills
- Desalination Plants
- Chemical Plants
- Water & Sewage



UFO LED HIGH BAY LIGHT ANTI CORROSION

Build to last

Designed with only the highest quality in mind, the Crown LED High Bay Lights Anti Corrosion series combines high-end components for efficiency, with a superior build quality for reliability. High output Lumileds LED Chips ensures you will save on both energy and maintenance costs while meeting the highest performance standards.



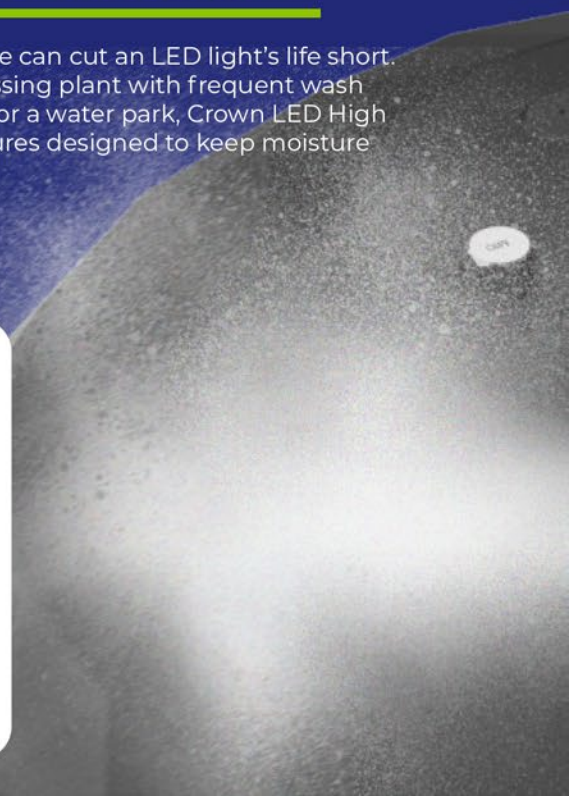
304 accessories:
Hanging ring
Waterproof connector
Breathable Pressure relief
vent plug

Moisture Resistant

Damaging moisture can cut an LED light's life short. Whether it's processing plant with frequent wash downs, wash bays, or a water park, Crown LED High Bay Lights has fixtures designed to keep moisture out.

Anti Corrossion

To ensure the Crown LED High Bay Lights will survive even the toughest of conditions we constructed it out of die casting aluminum ADC12, the rest are made of stainless steel and coated it with a high performance pure epoxy anti-corrosion protective coating. For extra protection make sure you combine it with our 316 stainless steel.



Food industrial IP69K NSF LED HIGH BAY LIGHT

Highly Durable IP69K Weather
Resistance - Steam Cleanable



IP69K Weather proof, Corrosion - Resistant

WG-CHB with perfect weatherproof structure is no problem to reach IP69K, with tested and verified at harshest environment. The surface treatment is outdoor usage powder coating, to make the light corrossion-resistant and anti-aging.

Dust and Debris Resistant LED Mill Light

Contaminant build-up on fixtures acts as an insulator, causing temperatures to soar and LEDs to fail prematurely . Pulp, paper and lumber mills, or any facility where dust, grit or debris to extend LED fixture life.

Electrical Information

Model No.	WG-CHB-100W	WG-CHB-150W	WG-CHB-200W
Wattage	100W	150W	200W
Power Supply	MOSO MNC-100V240	MOSO MNC-150V240	MOSO MNC-200V240
Input Voltage	100-277VAC,50/60HZ		
Power Factor	>0.90		
Control	0-10V, 1-10V dim control / Motion Sensor / DALI / Zigbee		

Optic Information

LED Brand	Philips Lumileds 3030		
Efficacy	170 Lm/w	170 Lm/w	170 Lm/w
Luminous Flux	17,000 Lm	25,500 Lm	34,000 Lm
Color Temp	3000K~6000K		
Beam Angle	Tempered glass		
CRI	Ra80		

Dimentions and Mount

Product Dimension	φ 405x201mm
Export Carton Size	46x46x21cm
Gross Weight	5.4Kg
Operating Temperature	-30~45°C
Material	Housing is made of die casting Aluminum ADC12,The rest are made of stainless steel
Surface treatment	Special powder paint which is anti corrossion
Fixture Color	Black
IK Rating	IK10
IP Rating	IP69K

Warranty and Certificate

Warranty	2 Years
Certificate	NSF / ETL / DLC / TUV / CE / CB / SAA / LM79 / LM80

* 3000K/Milky Cover are 15% less lumen compared to 5000K



Mounting & Accessories Options



Eyebolt Mount



Pendant Mount



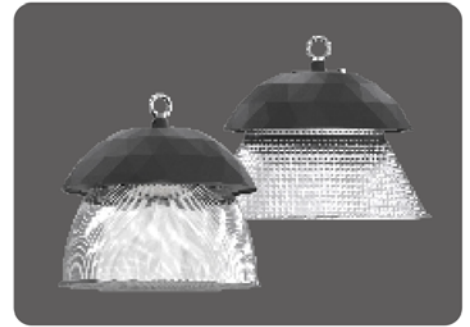
Ceiling Mount



Safety cable

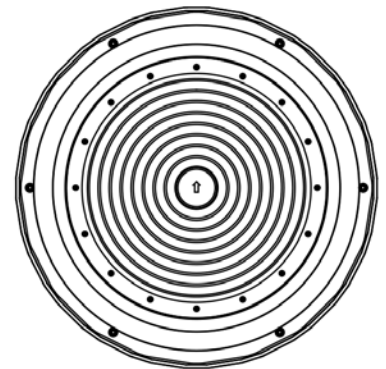
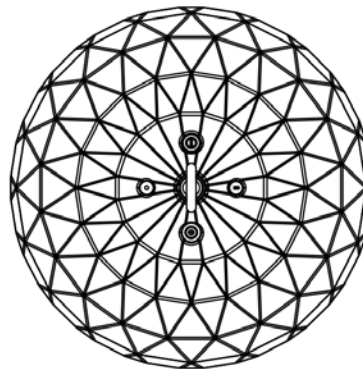
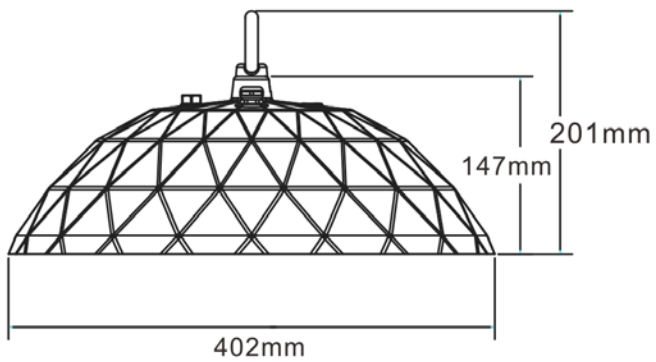


Motion sensor



PC & Aluminum reflector

Dimensions



APPLICATIONS



PACKAGE DETAILS



Wattage

Size of Box

Weight

Box Quantity

WG-CHB-100W

L46XW46XH21cm

5.3kg

1PC

WG-CHB-150W

L46XW46XH21cm

5.4kg

1PC

WG-CHB-200W

L46XW46XH21cm

5.5kg

1PC